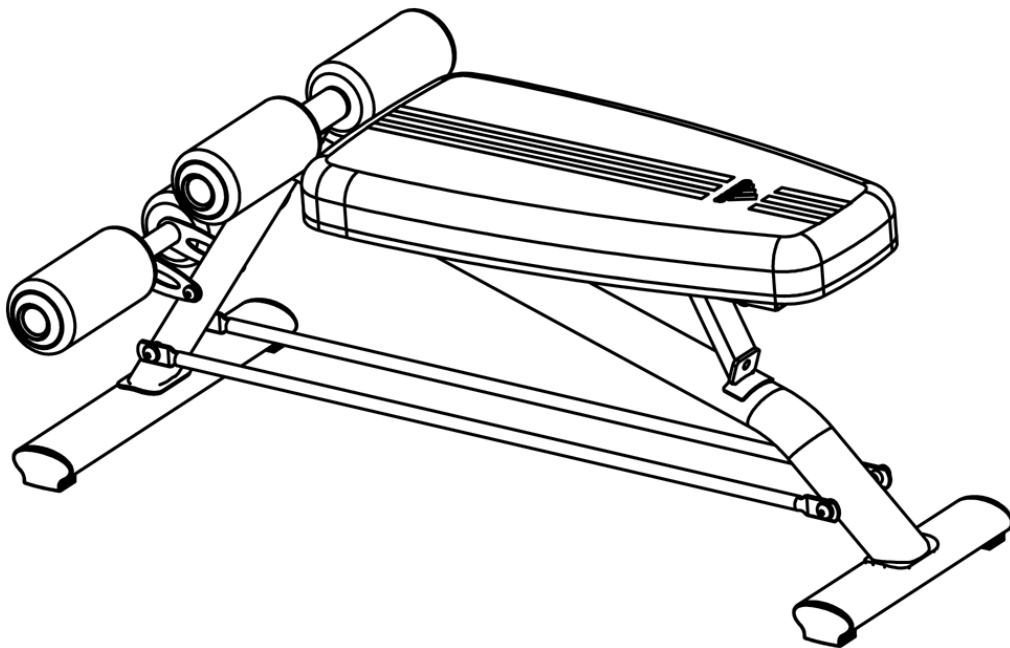




# Utility Bench

**ADBE-10235**



**IMPORTANT:** Please read the Important Safety Notice and Assembly Information in the Owner's manual before assembling this product.

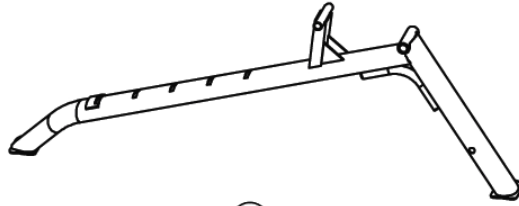
**ATTENTION!** Veuillez lire l'Avis de sécurité important et le Guide d'assemblage avant d'assembler cet appareil.

**Assembly Manual Guide d'assemblage**

120309



① × 2



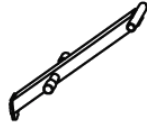
② × 1



③ × 1



④ × 1



⑤ × 1



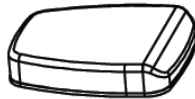
⑥ × 1



⑦ × 2



⑧ × 1



⑩ × 1



⑪ × 1



⑫ × 2



⑱ × 2



⑲ × 1



⑳ × 1



㉑ × 1



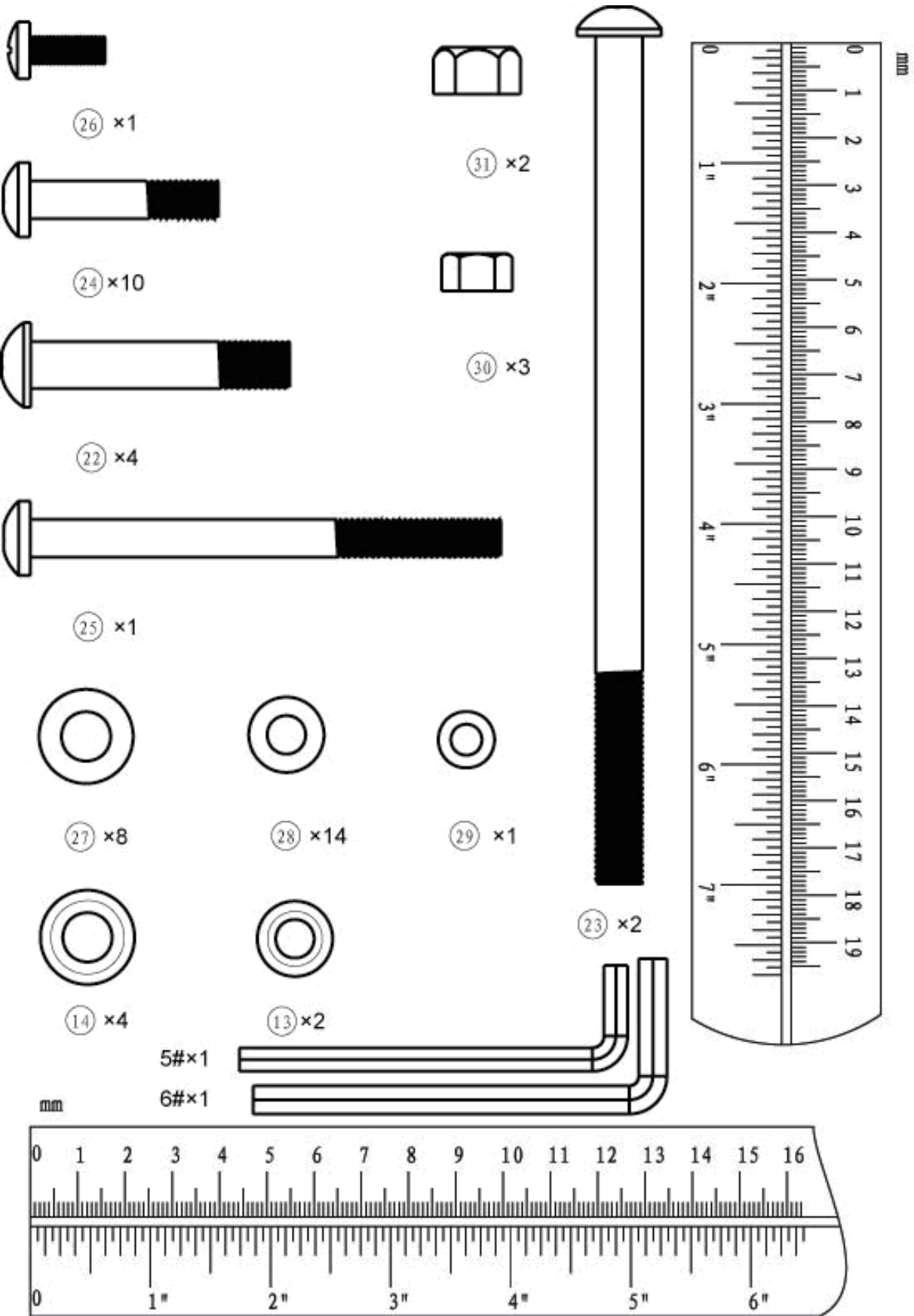
㉒ × 1



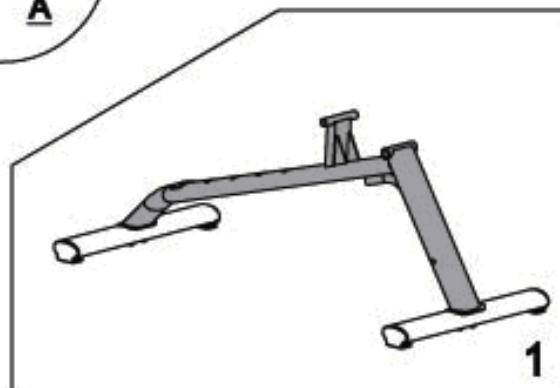
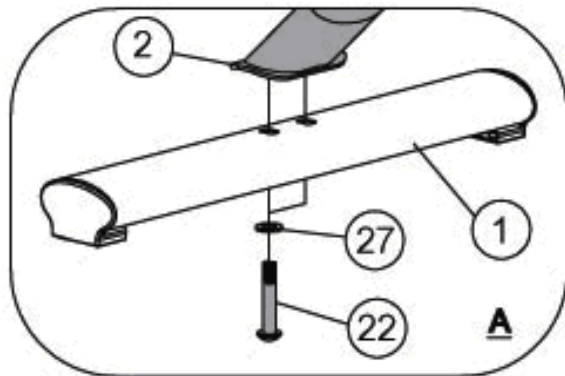
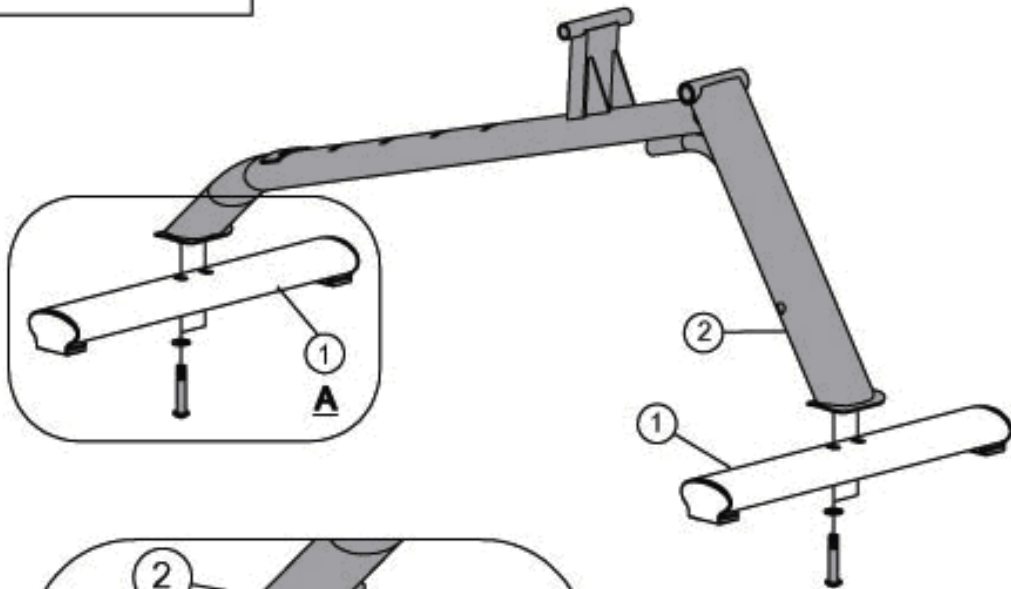
㉓ × 2

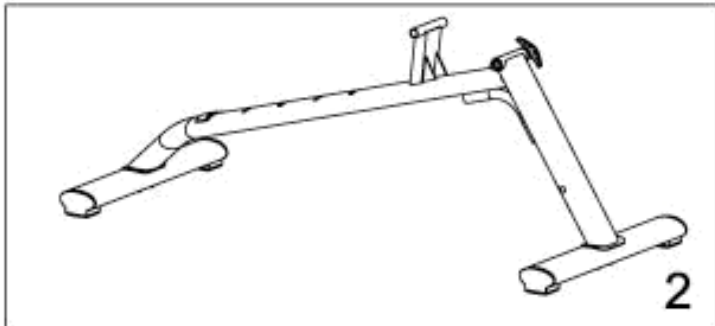
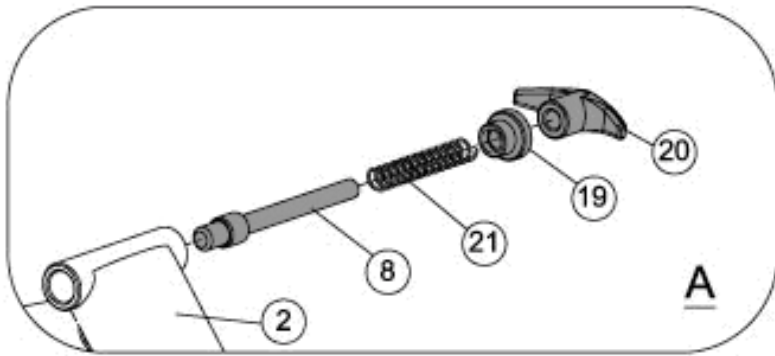
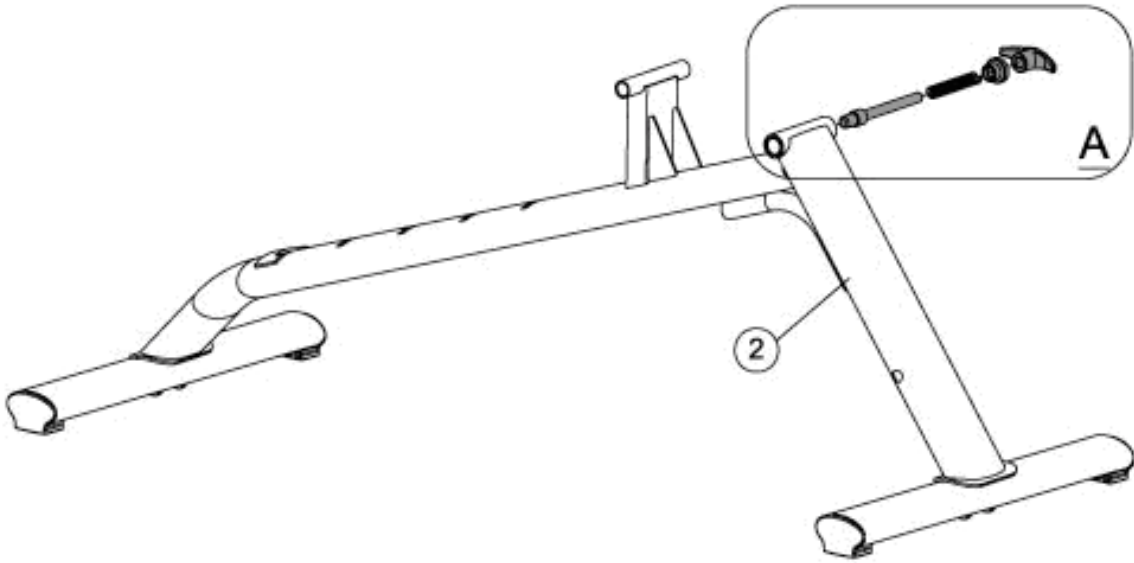
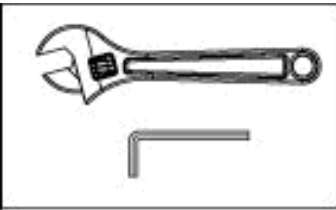





㉔ × 3

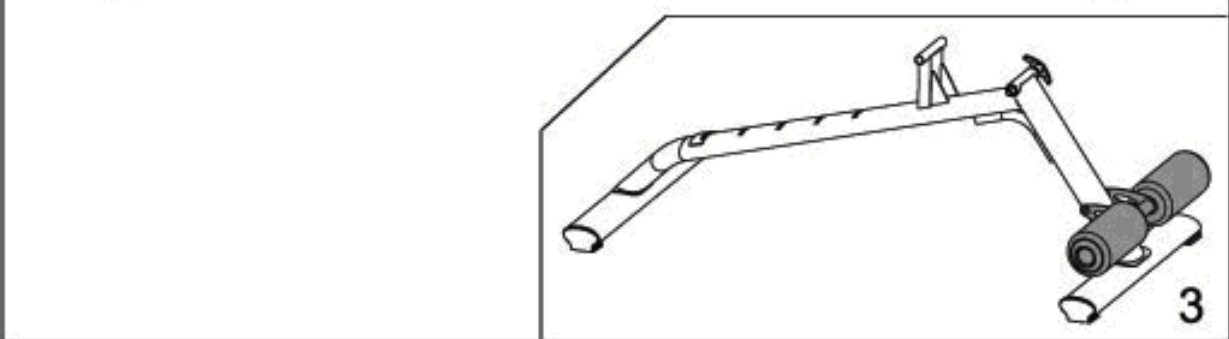
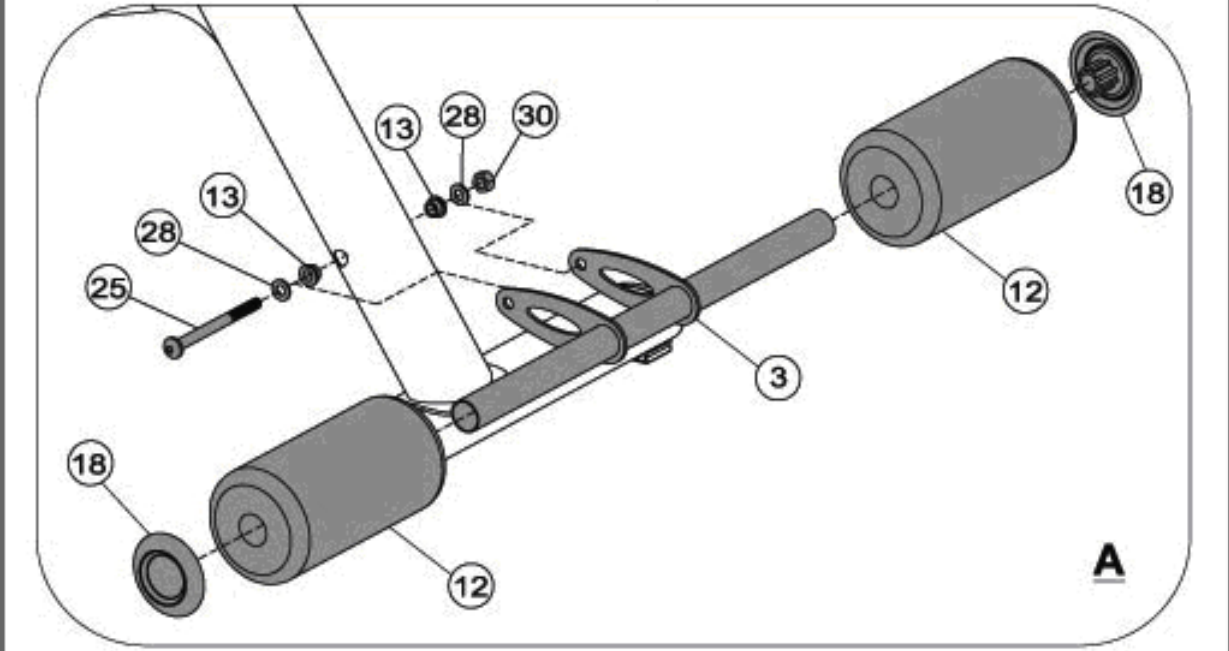
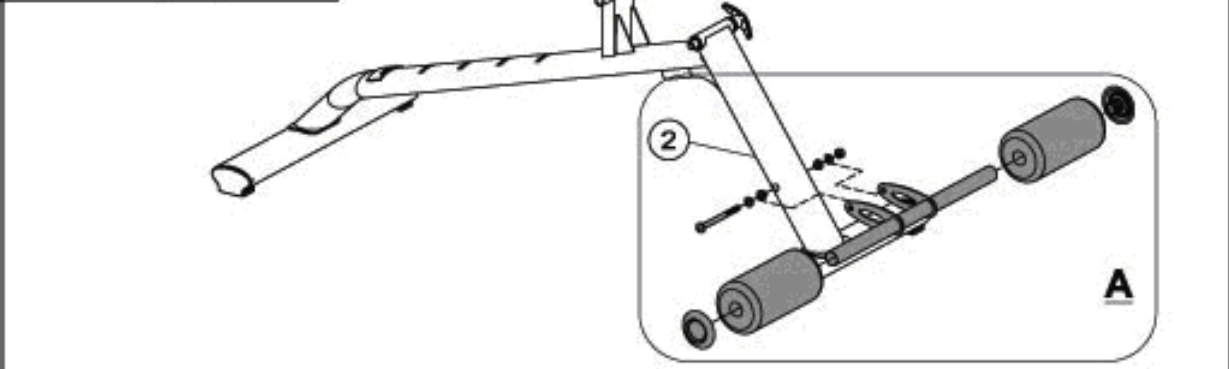
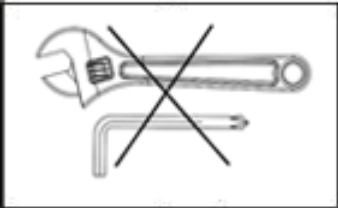











- ②  x 4 M10x2 1/8"
- ②⑦  | x 4 Ø3/4"

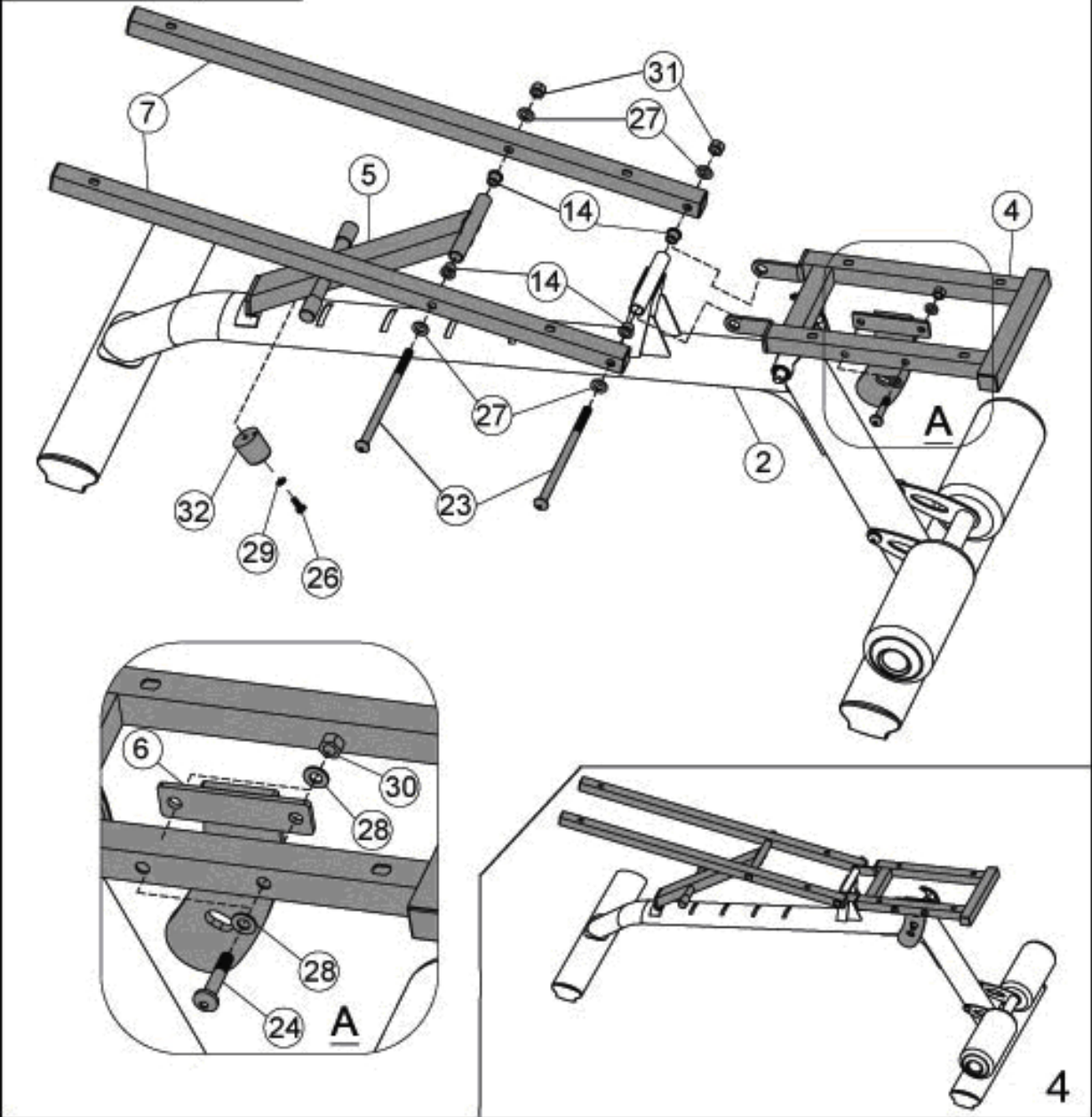
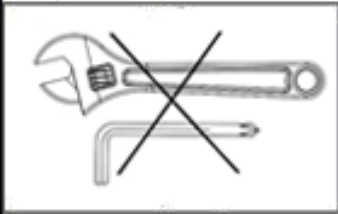




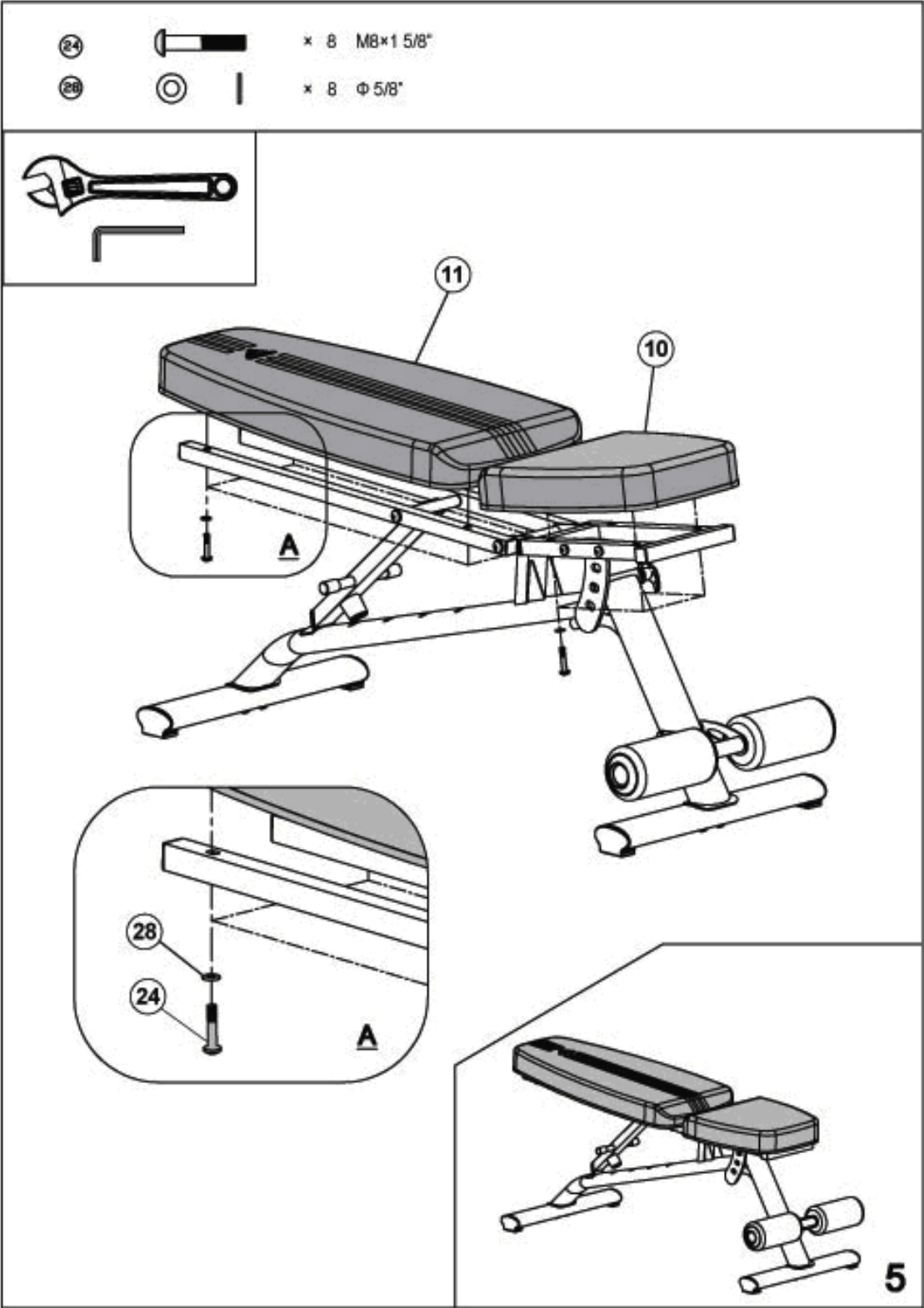
25		× 1 M8×4"
28		× 2 Φ5/8"
30		× 1 M8



23		x 2 M10x7"	24		x 2 M8x1 5/8"
27		x 4 Φ3/4"	28		x 4 Φ5/8"
26		x 1 M6x5/8"	30		x 2 M8
29		x 1 Φ 1/2"	31		x 2 M10
14		x 4 Φ3/4"			



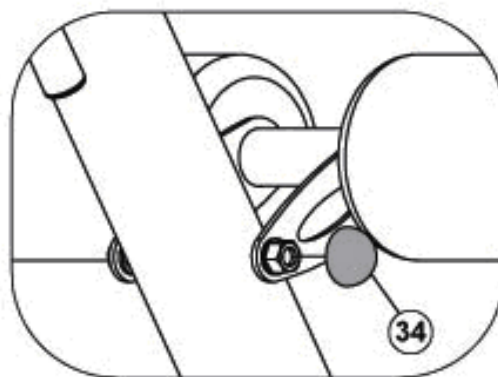
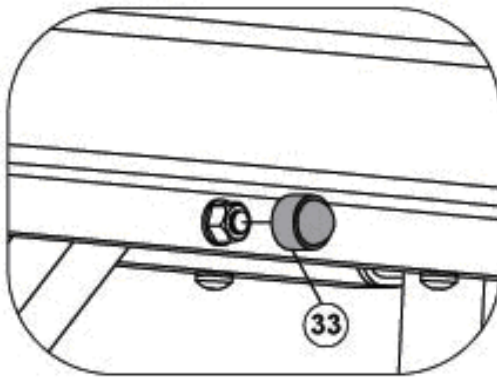
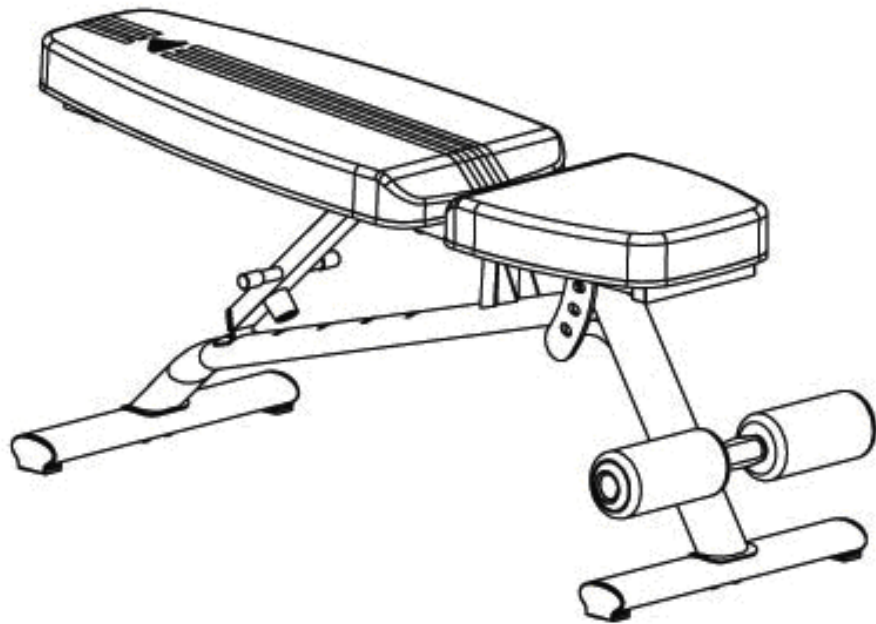




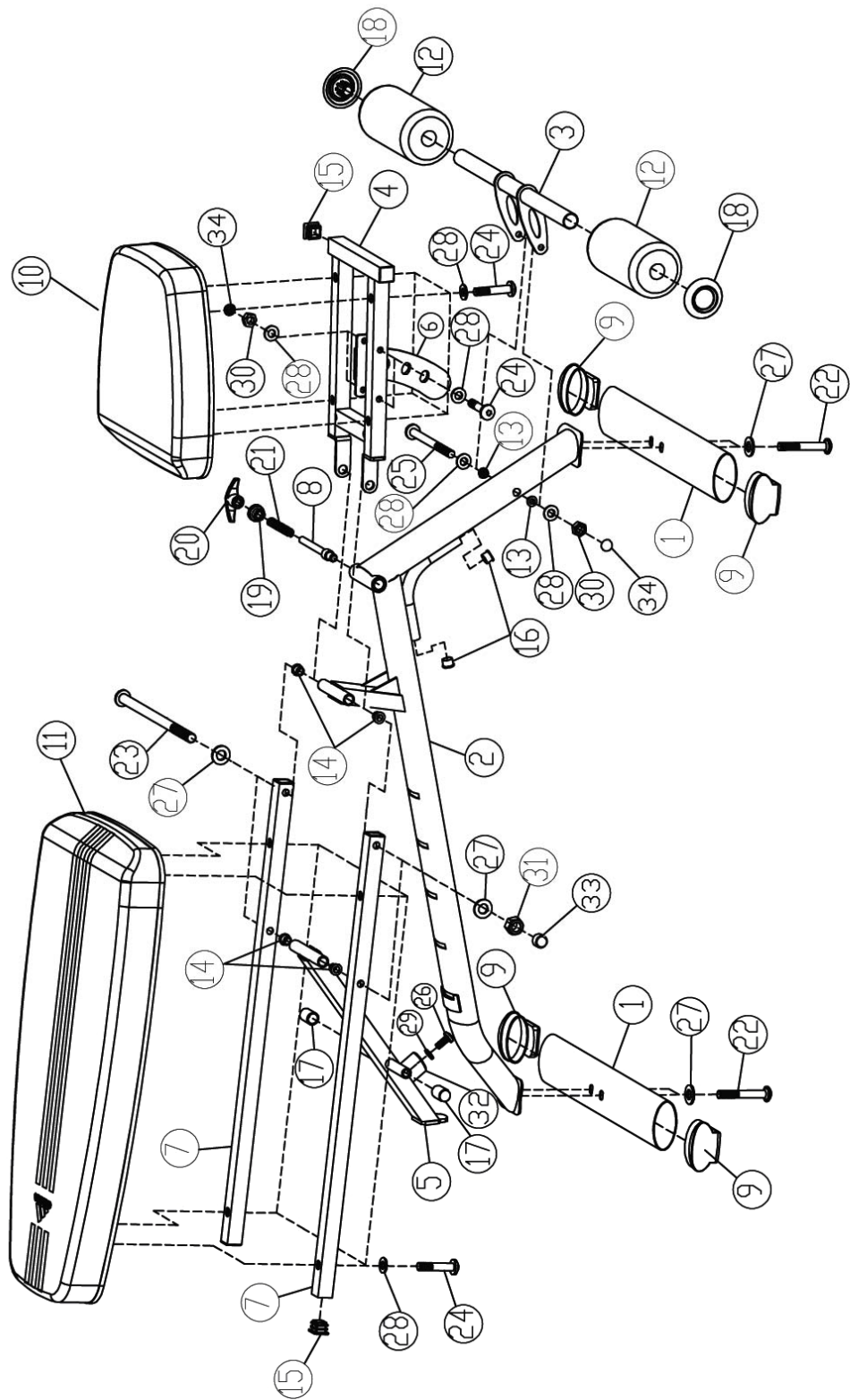


33  x 2 M10

34  x 3 MB



**6**



**IMPEX<sup>®</sup> INC.**

2801 S. Towne Ave, Pomona, CA 91766  
Tel: (800) 999-8899 Fax: (626) 961-9966

**[www.impex-fitness.com](http://www.impex-fitness.com)**  
**[info@impex-fitness.com](mailto:info@impex-fitness.com)**